

FUSION SERIES - ENGINEERED LED & GLOBE CONVERSION KITS

New Fixture Performance at a Fraction of the Cost

UNCOMPROMISING PERFORMANCE | MAXIMUM SAVINGS | MINIMUM INVESTMENT | CONTROLS OPTIONS

The Vega Light Control Systems FUSION Series offers revolutionary performance and features a globe & LED kit designed to last. Many decorative lighting applications do not require new fixtures which is where the FUSION Series provides the most savings and benefit. Complete with a new globe and LED system tested and designed to work together, the FUSION Series provides customers with new fixture performance at a fraction of the cost.

GLOBE PLUS MATACH LIGHT SOURCE



BEST IN CLASS PERFORMANCE

- Double or triple light coverage and life of most LED Systems
- Up to 160 Lumens Per Watt directional
- Easy Install- Mogul Base, Medium Base, and fixed plate mounting available
- Only 10% uplight where competitors are 50% on average
- Reduced glare by up to 60%
- 36 kV of surge suppression standard across all three lines
- Optional ground wire for true long life performance
- Superior thermal design (no fans or thermal 'Band-aids')
- DLC Listing & UL Listing (In Process)
- **Patent Pending**

OPTIONAL FEATURES

- Built in Controls - Bluetooth remote control using **VEGA Link app**. Control uplight, dimming, night time dimming schedule, report diagnostics, burn time, and asset tag ID.
- BUG Rating modification - independently modify Backlight, Uplight, or Glare
- Adaptive Capability - modify distribution pattern from Type 5 to Type 3 for example
- Accessory Module Top Cap - white uplight, RGB uplight, signal lights, and more
- Built in Mesh Networking - VEGA Link Mesh Control (modify one unit settings and 'sync' all others), lock individuals where needed, report diagnostics, faults, GPS location, and more.



RATED LIFE

100,000+ Hrs Rated System Life

85% Lumen Maintenance at 100,000 Hrs

TESTING

IESNA LM-80

InSitu Thermal

Energy Star TM-21

Surge & Transient Tested

100% Production Test & Inspect

LISTING

IP66 Wet Location Rated

Pending Certification to UL 1598C, UL 8750, CSA TIL B-79A

Surge suppression designed to UL 1449 3rd Edition

UL Drivers

Complies with IEEE C62.41

SHIPPING INFORMATION

Ships from Michigan Mfg Plant

ISO 9001 US Facility

ELECTRICAL

36 kV Surge Suppression

Power Factor Correction >92%

<20% Total Harmonic Distortion

-40C to +50C Ambient Operating Temp

Universal 120-277 VAC, 480 VAC Option

Thermal Overload Protected

Electrical Short / Overload Protected



SUPPORT@VEGALIGHTCONTROL.COM
616.259.0700
VEGALIGHTCONTROL.COM

(PRELIMINARY)



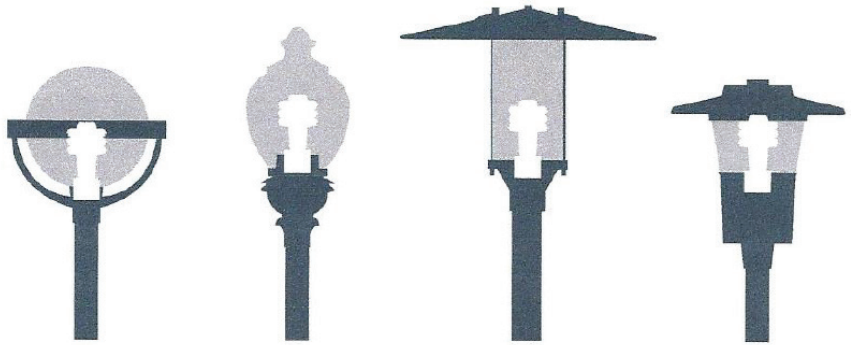
FUSION SERIES - ENGINEERED LED & GLOBE CONVERSION KITS

New Fixture Performance at a Fraction of the Cost

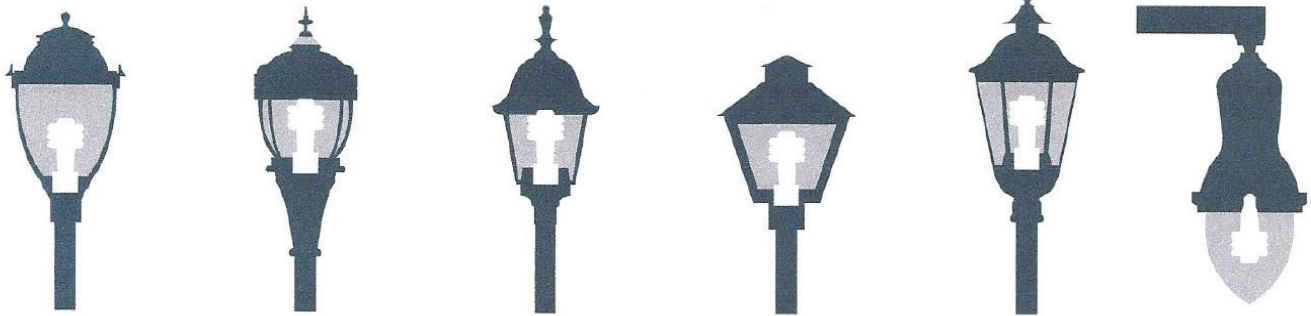
We do it all.

Proven Superior Performance in AEL, Cooper, GE, Hadco, Hanover, HCI, Holophane, King Luminaire, Lumec, Mainstreet Lighting, Pelco, Pemco, Sternberg, and more.

IES Files available with the D4A inside of a wide variety of fixtures. Contact Vega for specific files



BASE DOWN



BASE DOWN or BASE UP FIXED PLATE

BASE DOWN OR INVERTED



KING LUMINAIRE™



VEGA Link D4A

The easiest way to maximize the benefits and savings of VEGA control products with a simple to use smart phone interface!



(PRELIMINARY)

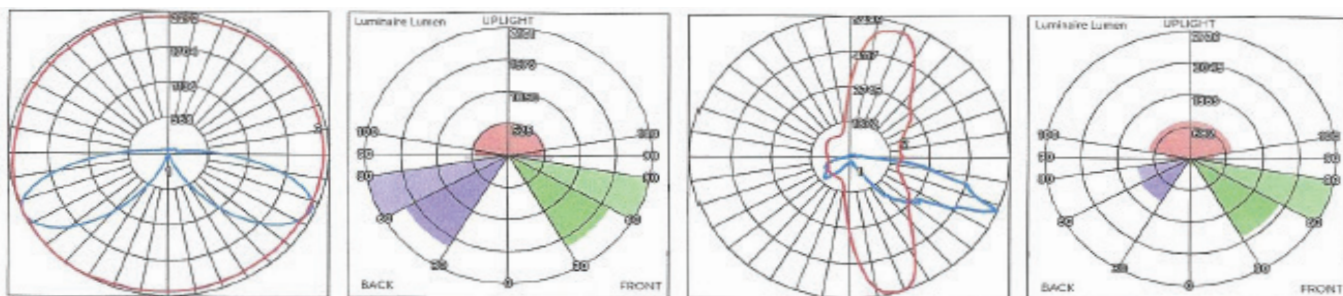
FUSION SERIES - ENGINEERED LED & GLOBE CONVERSION KITS

New Fixture Performance at a Fraction of the Cost

Performance

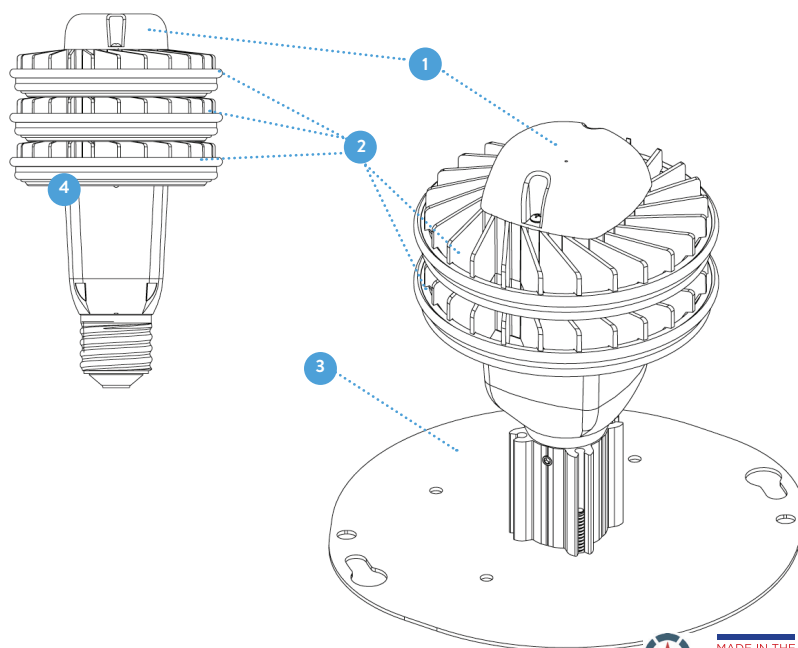
RATED WATTAGE	WATTAGE	DISTRIBUTION	2200K	3000K	4000K	5000K
MOGUL BASE						
30	30.5	T5M	3,631	5,114	5,391	5,391
40	40.4	T5M	4,656	6,670	7,031	7,031
50	50.5	T5M	5,576	8,105	8,543	8,543
60	62.7	T5M	6,659	9,853	10,386	10,386
MEDIUM BASE						
20	20.6	T5M	2,452	3,454	3,641	3,641
30	30.5	T5M	3,631	5,114	5,391	5,391
45	45.7	T5M	5,046	7,335	7,731	7,731

Distribution Plots



Key Features

- 1 Accessory Module includes Uplight, RGB Remote Control, Mesh Module
- 2 Advanced Optics
- 3 Mogul, Medium, or Fixed Base
- 4 Optional Ground for True 3-Wire Suppression



FUSION SERIES - ENGINEERED LED & GLOBE CONVERSION KITS

New Fixture Performance at a Fraction of the Cost

Combination Globe & LED Performance

GLOBE LUMEN OUTPUT (25C AMBIENT) WITH D4A INSIDE

RATED WATTAGE	WATTAGE	CCT	D4A IN T3 PRISMATIC ACRYLIC GLOBE	D4A IN T5 PRISMATIC ACRYLIC GLOBE	D4A IN T5 CROWN ACRYLIC GLOBE	D4A IN T3 HOLOPHANE GLASS GLOBE
30	30.5	2200K	3,358	5,391	3,253	3,337
40	40.4	2200K	4,307	7,031	4,172	4,279
50	50.5	2200K	5,157	8,543	4,995	5,123
60	62.7	2200K	6,160	10,386	5,967	6,120
30	30.5	3000K	4,731	3,641	4,583	4,700
40	40.4	3000K	6,170	5,391	5,976	6,130
50	50.5	3000K	7,497	7,731	7,262	7,448
60	62.7	3000K	9,114	9,380	8,828	9,055
30	30.5	4000K	4,986	5,132	4,830	4,954
40	40.4	4000K	6,503	6,693	6,299	6,461
50	50.5	4000K	7,902	8,133	7,655	7,851
60	62.7	4000K	9,607	9,887	9,305	9,544
30	30.5	5000K	4,986	5,132	4,830	4,954
40	40.4	5000K	6,503	6,693	6,299	6,461
50	50.5	5000K	7,902	8,133	7,655	7,851
60	62.7	5000K	9,607	9,887	9,305	9,544

Ordering Instructions

STYLE	WATTS	COLOR TEMP	DISTRB.	NECK SIZE	GLOBE STYLE	GLOBE MATL	ACC. CAP	BASE	ORIENTATION	DIMMING/ CONTROL	ACCESSORIES	OPTIONS
1-FITTER 1 2-FITTER 2 3-FITTER 3 4-FITTER 4	-60 -50 -40 -30 -20	-50K-5000K -40K-4000K -30K-3000K -22K-2200K	-T3M -T5M	-8 -9	PRSM TEXT	AC- ACRYLIC AC- POLYCARB	-UPL -RGB T -C###	-E39 -E26 -C###	-D -U	-STD -DIM (BT DIM CONTROL) -BUG (ZONE CONTROL) -MSH (MESH NETWORKING)	SEE BELOW	SEE BELOW

EXAMPLE

FUS1-60-40K-T3M-8PRSM-AC-UPL-E39-DIM-BLK-ACC-OPT

NOTES: Customized mounting brackets available please call for cost and lead time

(PRELIMINARY)