

These installation instructions apply to the VEGA D4A models designated below.

Model	Watts	CCT	Type	Acc. Cap	Mount	Up/Dwn	Control	Wattage	Application Reference
D4A	30	22K	T5M	NA	E39	U	STD	30W	Small Fixtures on short poles
D4A	40	30K		UPL	F63	D	DIM	40W	16" Acrylic Globes
D4A	50	40K			F65			50W	Glass Refracted Globes, 21" Acrylic
	60	50K			F70			60W	26" Acrylic Globes
					F80				

Key: NA – No Up Light, UPL – with Up Light  
 D – Base Down, U – Base Up  
 Universal Mounting Plates to replace socket mounts: F63 – 6.25", F65 – 6.5", F70 – 7", F80 - 8.0"  
 DIM – Bluetooth control for ON/OFF and setting lamp dim level and Astro Dim schedule.

## CAUTION

- THIS IS A LINE DRIVEN (120V-277V) LAMP.
- DO NOT INSTALL ABOVE 277VAC
- THIS LAMP IS NOT RATED FOR USE WITH HID BALLAST OR EXTERNAL LED DRIVER
- THIS DEVICE IS NOT INTENDED FOR USE WITH EMERGENCY EXITS or NOT FOR EMERGENCY LIGHTING
- PLEASE READ ALL INSTRUCTIONS BEFORE ATTEMPTING INSTALLATION

## WARNING

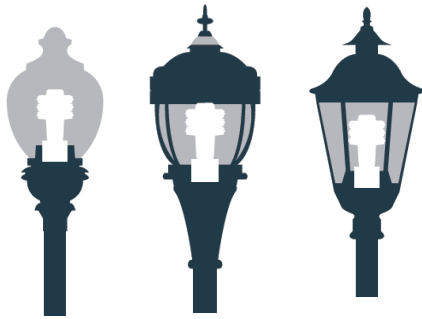
- RISK OF FIRE OR ELECTRIC SHOCK. INSTALLATION OF THIS RETROFIT ASSEMBLY REQUIRES A PERSON FAMILIAR WITH THE CONSTRUCTION AND OPERATION OF THE LUMINAIRE'S ELECTRICAL SYSTEM AND THE HAZARD INVOLVED. IF NOT QUALIFIED, DO NOT ATTEMPT INSTALLATION. CONTACT A QUALIFIED PERSON.
- RISK OF FIRE OR ELECTRIC SHOCK. INSTALL THIS KIT ONLY IN THE LUMINAIRES THAT HAS THE CONSTRUCTION FEATURES AND DIMENSIONS SHOWN IN THE PHOTOGRAPHS AND/OR DRAWINGS AND WHERE THE INPUT RATING OF THE RETROFIT KIT DOES NOT EXCEED THE INPUT RATING OF THE LUMINAIRE.
- DO NOT MAKE OR ALTER ANY OPEN HOLES IN AN ENCLOSURE OF WIRING OR ELECTRICAL COMPONENTS DURING KIT INSTALLATION.
- TO PREVENT WIRING DAMAGE OR ABRASION, DO NOT EXPOSE WIRING TO EDGES OF SHEET METAL OR OTHER SHARP OBJECTS.
- THIS LAMP IS NOT INTENDED FOR USE WITH HID BALLAST OR EXTERNAL LED DRIVER. LAMP INSTALLATION WITH EXTERNAL DRIVER OR HID BALLAST
- THIS RETROFIT KIT IS ACCEPTED AS A COMPONENT OF A LUMINAIRE WHERE THE SUITABILITY OF THE COMBINATION SHALL BE DETERMINED BY AUTHORITIES HAVING JURISDICTION.

## AVERTISSEMENT

- RISQUE D'INCENDIE OU DE CHOC ÉLECTRIQUE. L'INSTALLATION DE CE NÉCESSAIRE DE MODERNISATION EXIGE UNE PERSONNE FAMILIÈRE AVEC LA CONSTRUCTION ET LE FONCTIONNEMENT DU SYSTÈME ÉLECTRIQUE DU LUMINAIRE ET DES RISQUES ASSOCIÉS. TOUTE PERSONNE QUI N'EST PAS QUALIFIÉE NE DOIT FAIRE AUCUNE TENTATIVE D'INSTALLATION ET DOIT CONTACTER UNE PERSONNE QUALIFIÉE.
- RISQUE D'INCENDIE OU DE CHOC ÉLECTRIQUE. N'INSTALLER CE NÉCESSAIRE QUE DANS LES LUMINAIRES DONT LES CARACTÉRISTIQUES DE CONSTRUCTION ET LES DIMENSIONS SONT CONFORME À CELLES ILLUSTRÉES DANS LES PHOTOS ET/OU LES DESSINS ET DONT LA PUISSANCE D'ENTRÉE NOMINALE DU NÉCESSAIRE DE MODERNISATION NE DÉPASSE PAS CELLE DU LUMINAIRE.
- IL EST INTERDIT DE FAIRE OU DE MODIFIER UNE OUVERTURE DANS UN BOÎTIER DE CÂBLAGE OU DE COMPOSANTS ÉLECTRIQUES AU COURS DE L'INSTALLATION DU NÉCESSAIRE.
- AFIN DE PRÉVENIR L'ENDOMMAGEMENT OU L'ABRASION DES CÂBLES, ÉVITER TOUT CONTACT ENTRE CES DERNIERS ET LE BORD D'UN OBJET TRANCHANT TEL QU'UNE TÔLE.
- LE NÉCESSAIRE DE MODERNISATION EST ACCEPTÉ À TITRE DE COMPOSANT D'UN LUMINAIRE LORSQUE LA PERTINENCE DE LA COMBINAISON DOIT ÊTRE DÉTERMINÉE PAR LES AUTORITÉS COMPÉTENTES

## INTENDED APPLICATIONS

This D4A lamp is designed for vertical use only AND in compatible applications only:



Base DOWN  
Post Top  
style fixtures



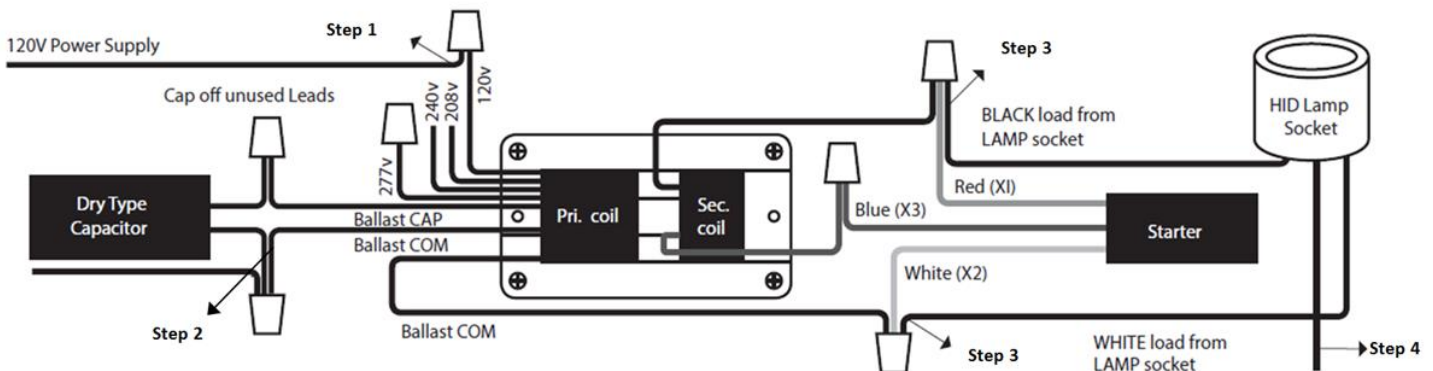
Base UP  
Pendant  
style fixtures

If installed in fixture other than Intended, contact VEGA customer service to evaluate applicability to fixture. [support@vegilightcontrol.com](mailto:support@vegilightcontrol.com), Phone: 616-259-0700

## INSTALLATION INSTRUCTIONS

This is a Line Driven (120V-277V) Lamp

1. Turn power off to the fixture.
2. Remove existing HID lamp from the fixture.
3. Follow the steps below to bypass the existing HID ballasts (See figure below).
  - Step 1: Disconnect Line Voltage (Hot Wire) from the HID ballast as shown in figure.
  - Step 2: Disconnect Neutral (COM) from the capacitor in the HID system.
  - Step 3: Disconnect the socket completely from the HID ballast.
  - Step 4: If the socket has a ground wire (Green) attached to the fixture; do not disconnect the ground wire.
  - Step 5: Connect Hot (120VAC-277VAC) to black wire; and Neutral to white wire connected to Mogul socket
4. Replace the socket if it is damaged.
5. Install the D4A Lamp.
6. Attach Ground wire terminal of D4A to chassis screw in fixture or splice to existing ground wiring.
6. Apply re-lamping notice label near socket inside the fixture.
7. Turn power on.



Make all electrical connections as shown in wiring diagram. Apply power to test installation